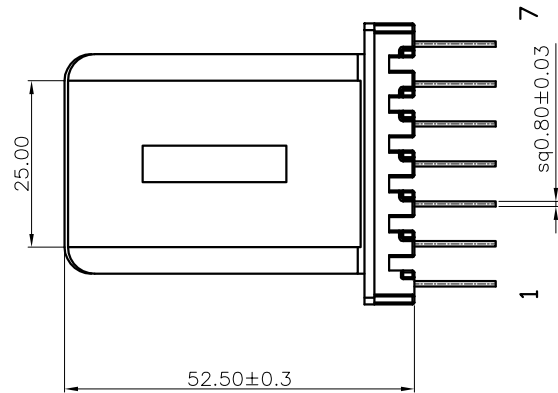
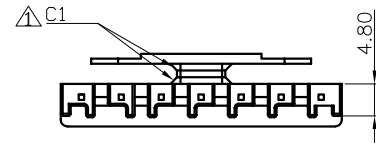
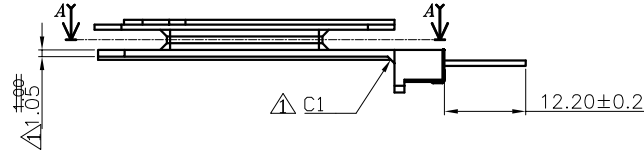
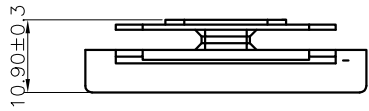
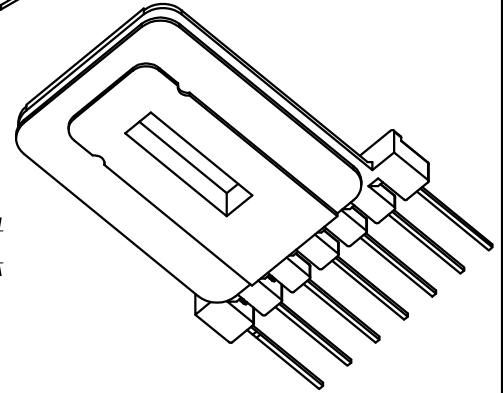
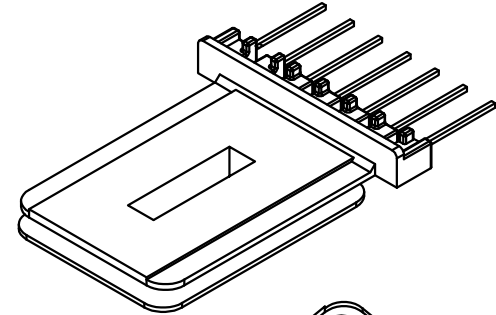
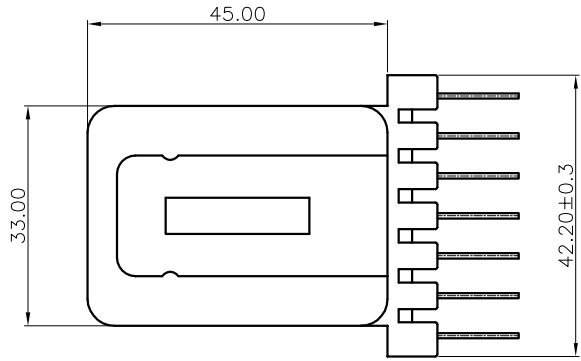


SECTION A-A



△					
△					
△					
△	면형 및 파손으로 필요장 (3곳)-대양권자 수정 진행			13.02.26	HK, Yang SH, Kim C, Park
MARK	REVISION NOTE			DATE	DRAWN CHECKED APPROVED
DRAWN	CHECKED	APPROVED	MATERIAL : PHENOL	UL REC. : UL94V-0	THIRD ANGLE PROJ. SCALE : 1/1
B M, Won	D B, Han	J B, Lim	Z : PIN LENGTH (According to customer's request)	DATE : 2012.04.17	TOLERANCE : ±0.2 (Unless otherwise specified) UNIT : m/m
주식회사 대흥보빈 DAE HEUNG BOBBIN CO., LTD			TITLE		DWG NO
			EE 41*17 "V" (7P)(A)		DH-120510-2088-00